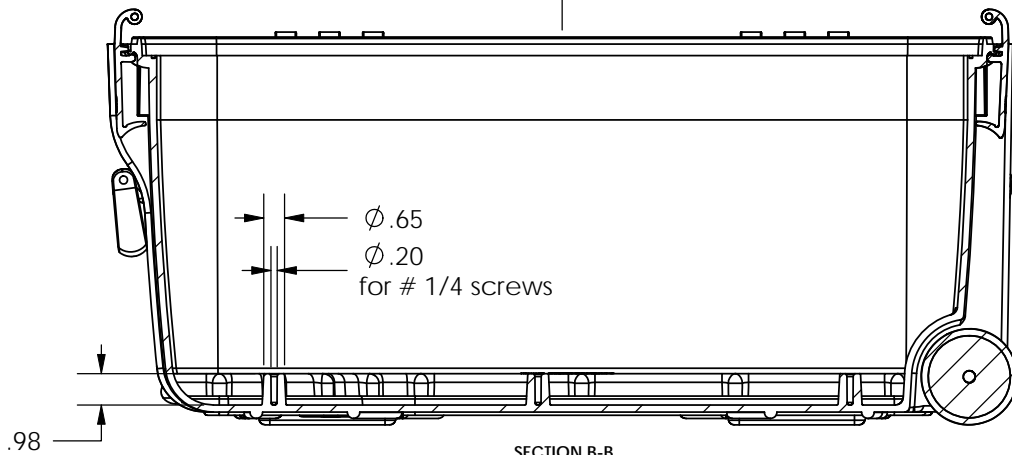
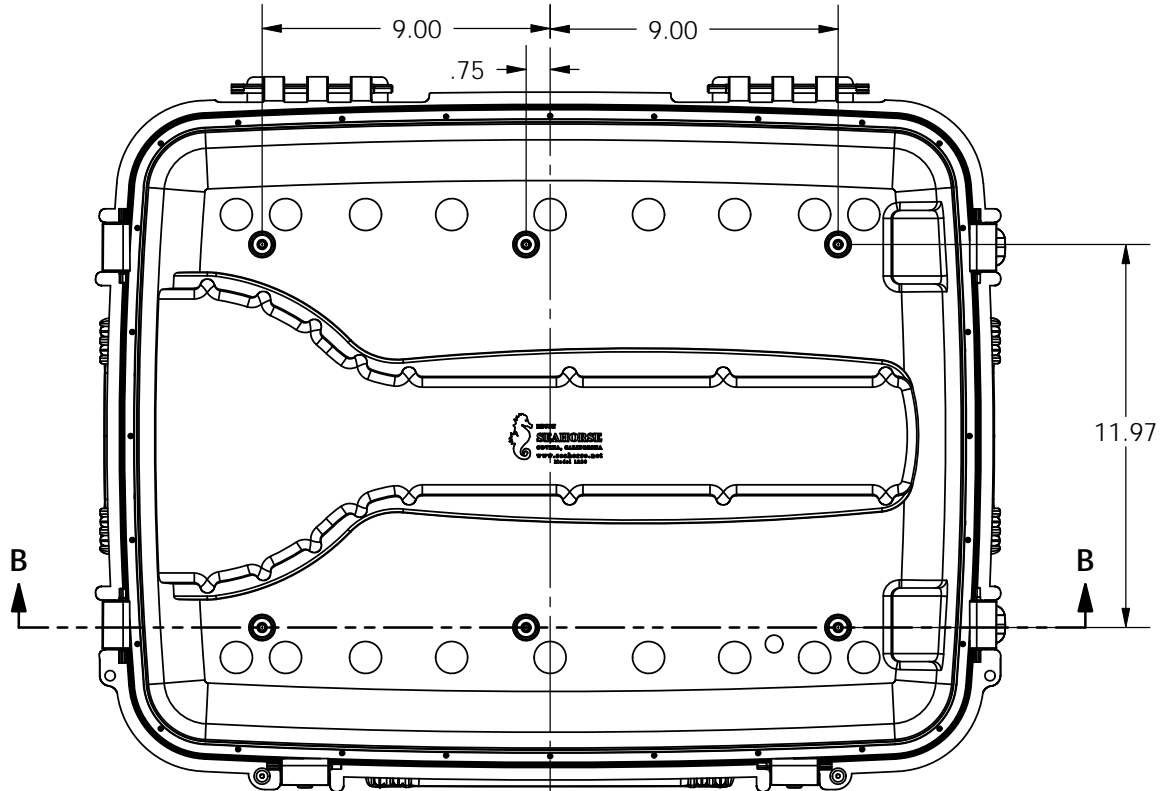


Note:  
 Max. usable inside dimensions are:  
 25.52" X 19.50" X 14.06"(13.08" to bottom step)  
 dim. are aprox. (curved enclosure)

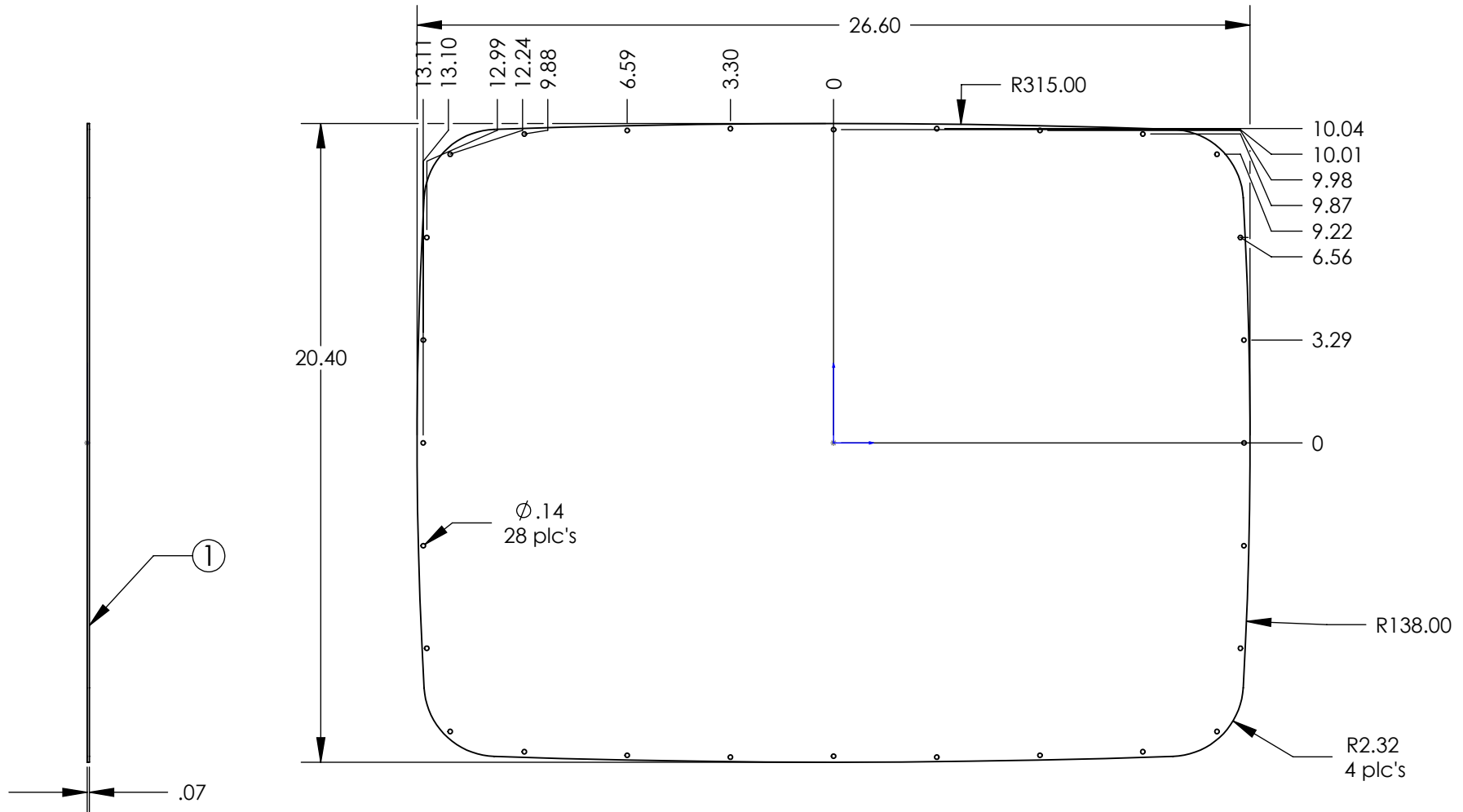
# SE-1220



SECTION B-B  
SCALE 1 : 6



# 7250B 1220 BOTTOM PANEL KIT



**NOTES:**

- 1) PVC film this side.
- 2) Panel Kit includes:
  - 1 pc of pn 7154 1220 bottom aluminum panel.
  - 1 pc of pn 8123 Instrument panel O-ring for 1220.
  - 28 pcs of pn 6005 screws (#4 X 3/8").