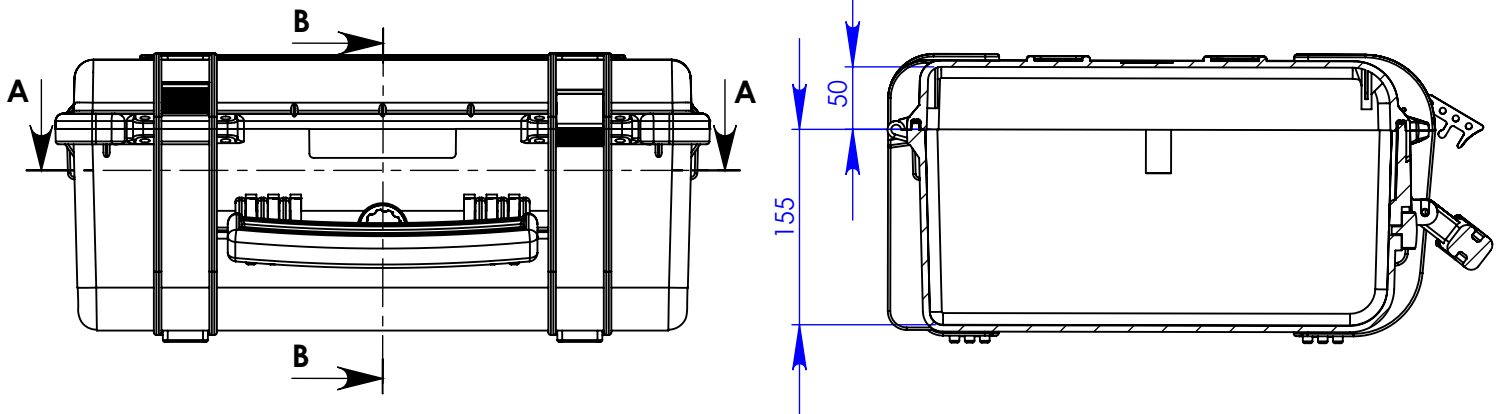
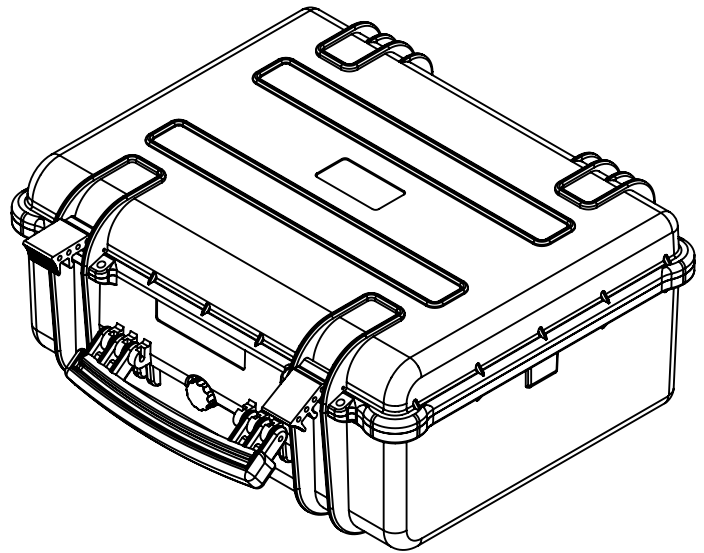
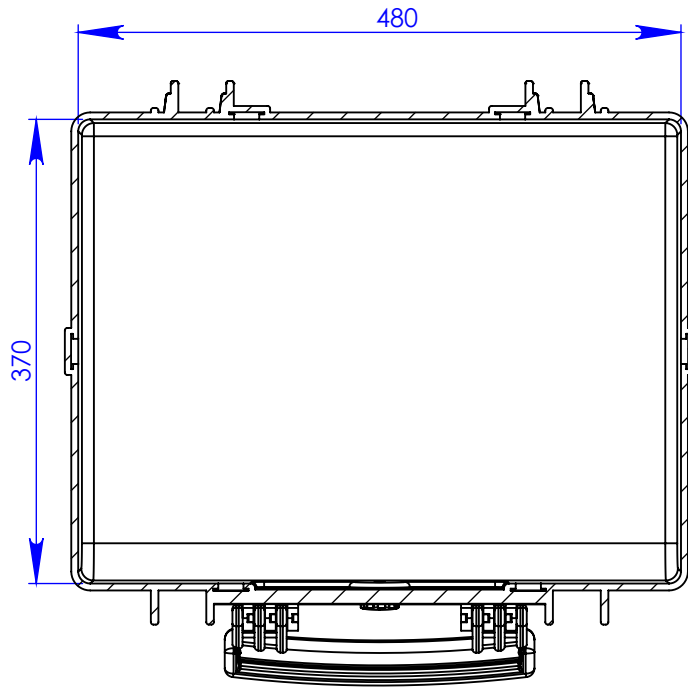


DATE	VER	DISCRIPTION	APPROVED

**SECTION B-B  
SCALE 1 : 6**



**SECTION A-A  
SCALE 1 : 6**



**ROLLING CASES**

WWW.CASES.CO.IL

MOSHAV MISHMAR AYALON MESHEK 2 ZIP 99782 TEL: 972-08-9797205 FAX: 972-08-9797075

CAT No:

CUSTOMER:

DIMENSIONS IN MM. UNLESS OTHERWISE SPECIFIED. TOLERANCES:	WOOD	FOAM	METAL
PALLET BASE	±5		
PANELS	±2		
SLOTS	±1		
MILLING FOAM			
CUTING FOAM		±2	
METAL:PARTS/PLACEMENT			
MANUFACTURED PARTS			±2
O.S PARTS			CUSTOMER REQUIREMENT

CUSTOMER CAT No:

TITLE: Explorer case 4820  
color black

EXT DIM:

ANGLES:

SHEET:

OF:

VER:

DWG No:

SIGNATURE DATE

DRWN MONEL

DESIGND MONEL

QA DAVID

CHKD MONEL

APRVD MONEL

NOTES: