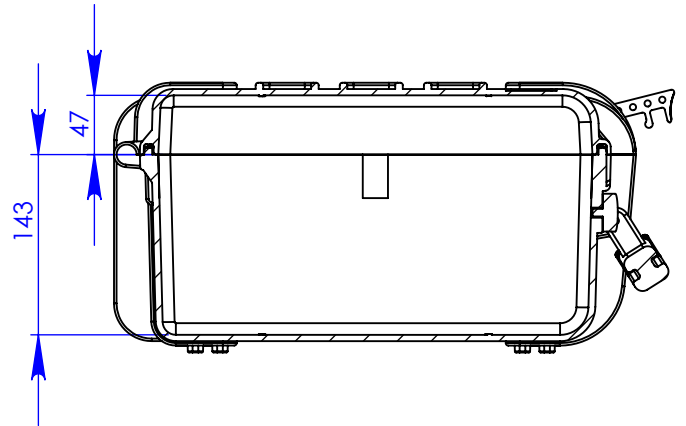
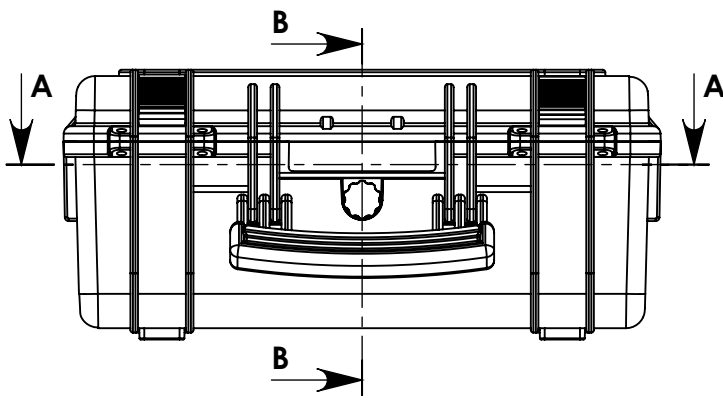
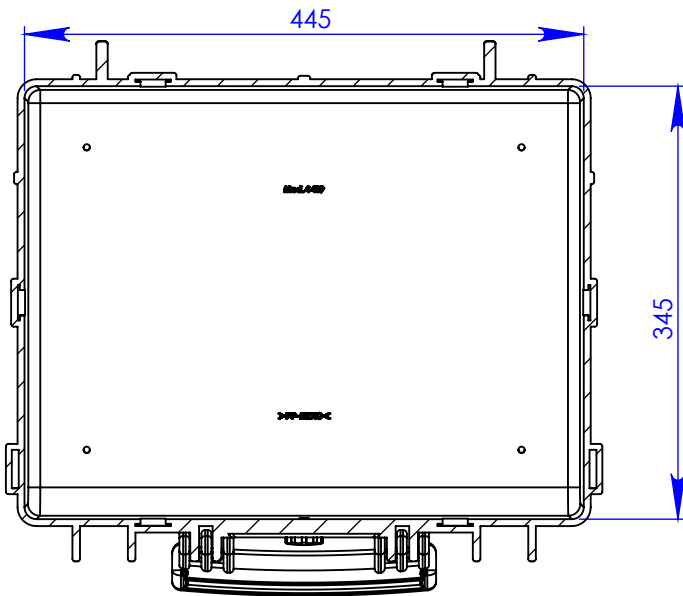


DATE	VER	DISCRIPTION	APPROVED

**SECTION B-B
SCALE 1 : 6**



**SECTION A-A
SCALE 1 : 6**



ROLLING CASES

WWW.CASES.CO.II

MOSHAV MISHMAR AYALON MESHEK 2 ZIP 99782 TEL: 972-08-9797205 FAX: 972-08-9797075

CAT No:				CUSTOMER:		DRWN	SIGNATURE	DATE		
DIMENSIONS IN MM. UNLESS OTHERWISE SPECIFIED. TOLERANCES:				CUSTOMER CAT No:		DESIGN	KATYA			
PALLET BASE	±5			TITLE: Explorer case 4419 color black		QA	DAVID			
PANELS	±2			EXT DIM:		CHKD	MONEL			
SLOTS	±1					APRVD	MONEL			
MILLING FOAM				CUSTOMER REQUIREMENT		NOTES:				
CUTING FOAM		+2								
METAL:PARTS/PLACEMENT				SHEET:						
MANUFACTURED PARTS			±2	OF:						
O.S PARTS				VER:		DWG No:				
ANGLES:										