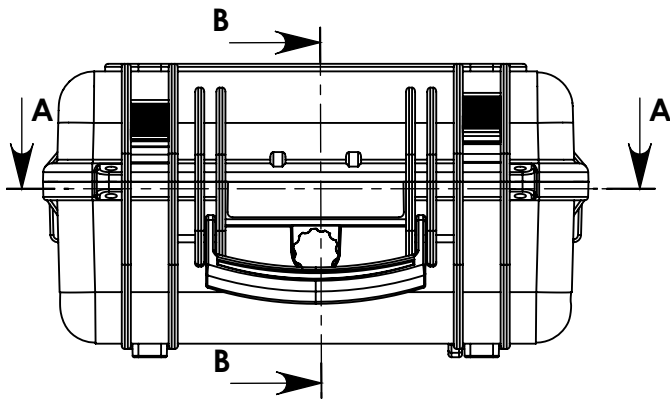
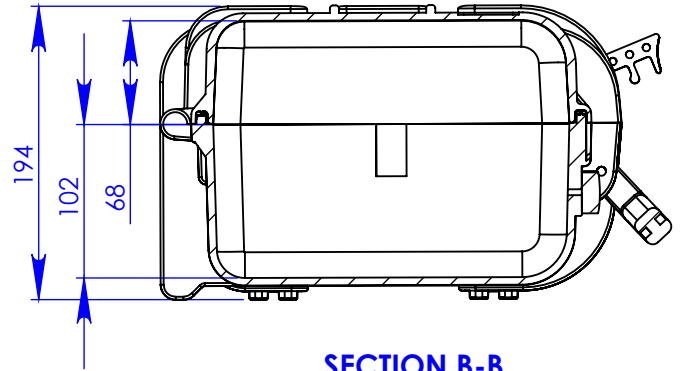
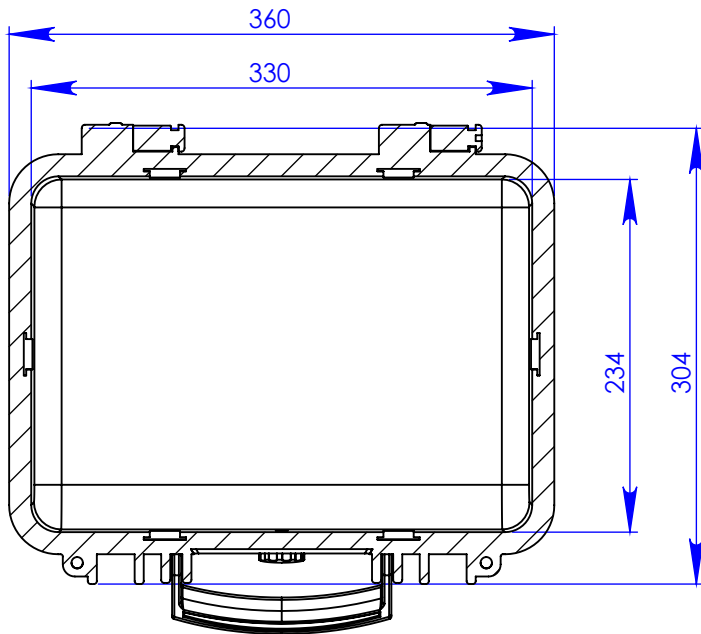


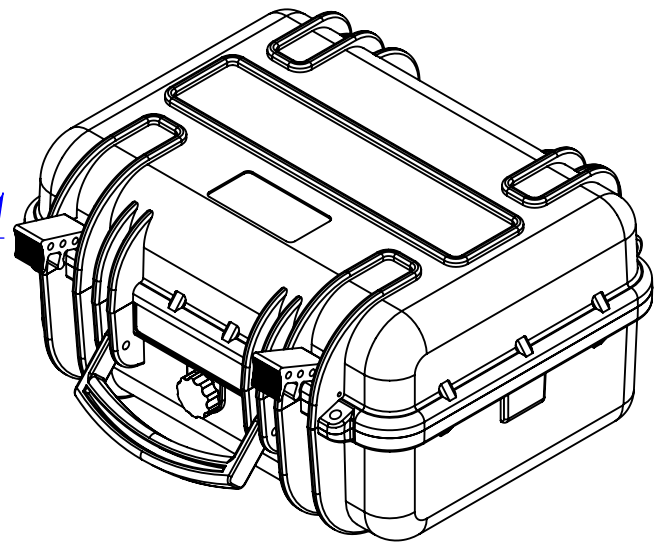
DATE	VER	DISCRIPTION	APPROVED



**SECTION A-A
SCALE 1 : 5**



**SECTION B-B
SCALE 1 : 5**



ROLLING CASES

WWW.CASES.CO.IL

MOSHAV MISHMAR AYALON MESHEK 2 ZIP 99782 TEL: 972-08-9797205 FAX: 972-08-9797075

CAT No:				CUSTOMER:					
DIMENSIONS IN MM. UNLESS OTHERWISE SPECIFIED. TOLERANCES:				CUSTOMER CAT No:					
WOOD	FOAM	METAL		<p style="text-align: center; color: blue;">Explorer case 3317 color black</p>					
±5									
±2									
±1									
MILLING FOAM				TITLE:					
CUTING FOAM	+2			EXT DIM:					
METAL:PARTS/PLACEMENT				CUSTOMER REQUIREMENT					
MANUFACTURED PARTS			±2	O.S PARTS					
ANGLES:		SHEET:		OF:		VER:		DWG No:	

	SIGNATURE	DATE
DRWN	KATYA	
DESIGND	MONEL	
QA	DAVID	
CHKD	MONEL	
APRVD	MONEL	
NOTES:		