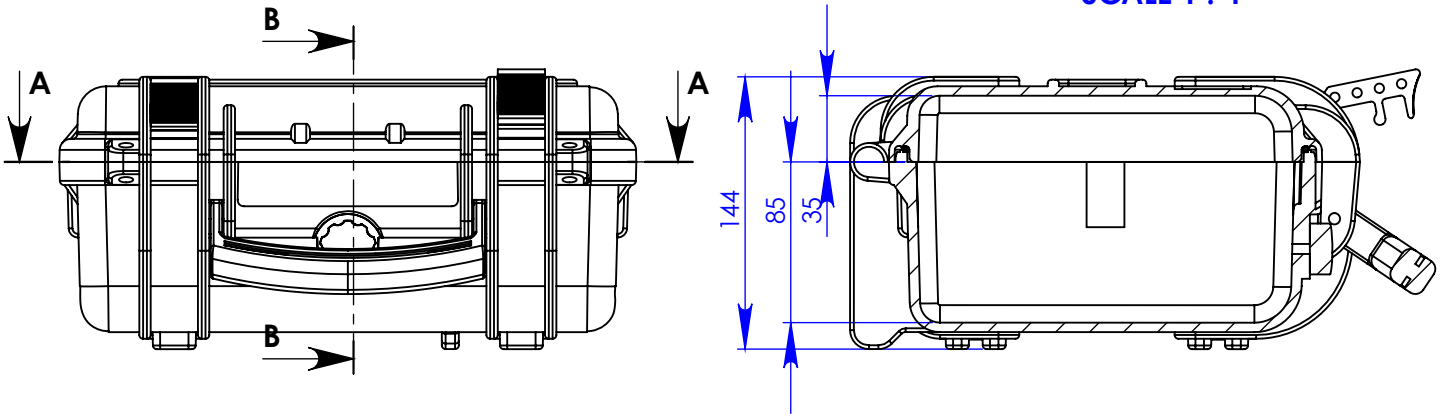
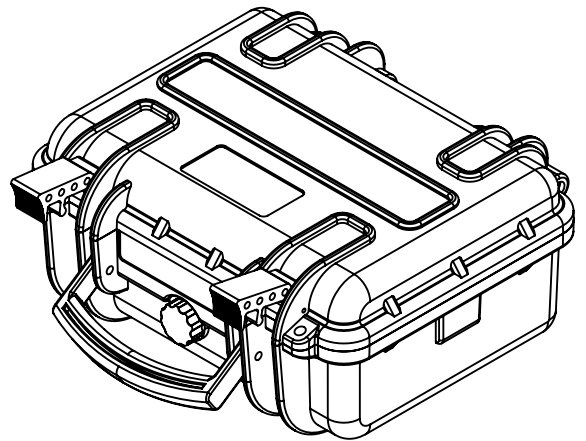
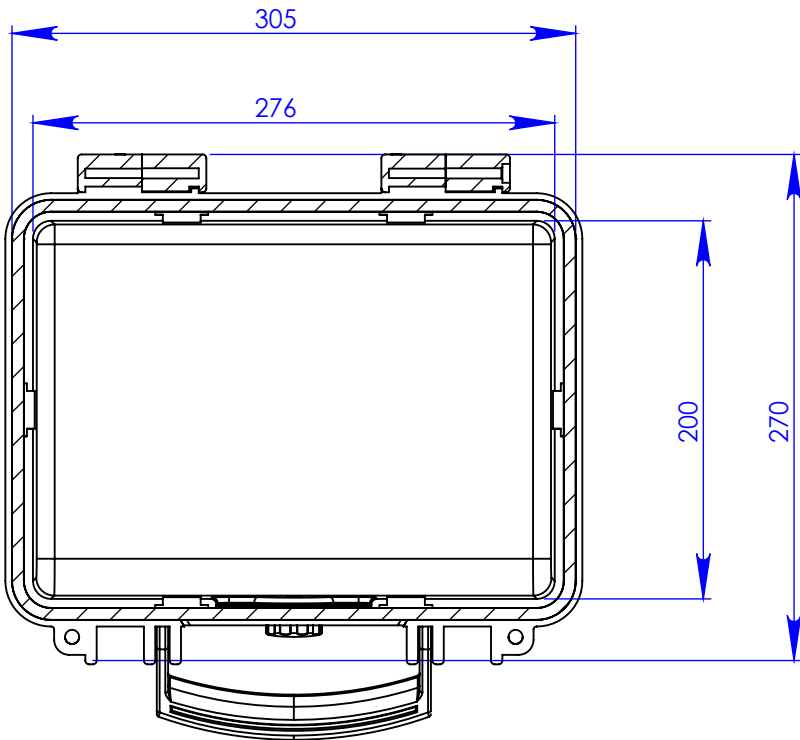


DATE	VER	DISCRIPTION	APPROVED

**SECTION B-B
SCALE 1 : 4**



**SECTION A-A
SCALE 1 : 4**



ROLLING CASES

WWW.CASES.CO.IL

MOSHAV MISHMAR AYALON MESHEK 2 ZIP 99782 TEL: 972-08-9797205 FAX: 972-08-9797075

CAT No:			
DIMENSIONS IN MM. UNLESS OTHERWISE SPECIFIED. TOLERANCES:			
WOOD	FOAM	METAL	
PALLET BASE	±5		
PANELS	±2		
SLOTS	±1		
MILLING FOAM			
CUTING FOAM		±2	
METAL PARTS/PLACEMENT			
MANUFACTURED PARTS			±2
O.S PARTS			CUSTOMER REQUIREMENT

CUSTOMER:	
CUSTOMER CAT No:	
TITLE: Explorer case 2712 color black	
EXT DIM:	
ANGLES:	DWG No:
SHEET:	OF:
VER:	

	SIGNATURE	DATE
DRWN	KATYA	
DESIGN	MONEL	
QA	DAVID	
CHKD	MONEL	
APRVD	MONEL	
NOTES:		