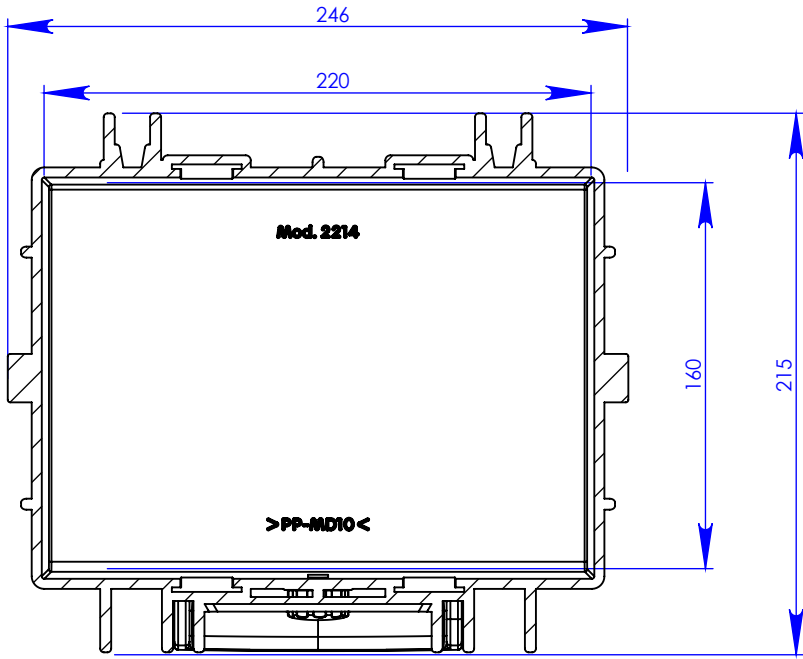
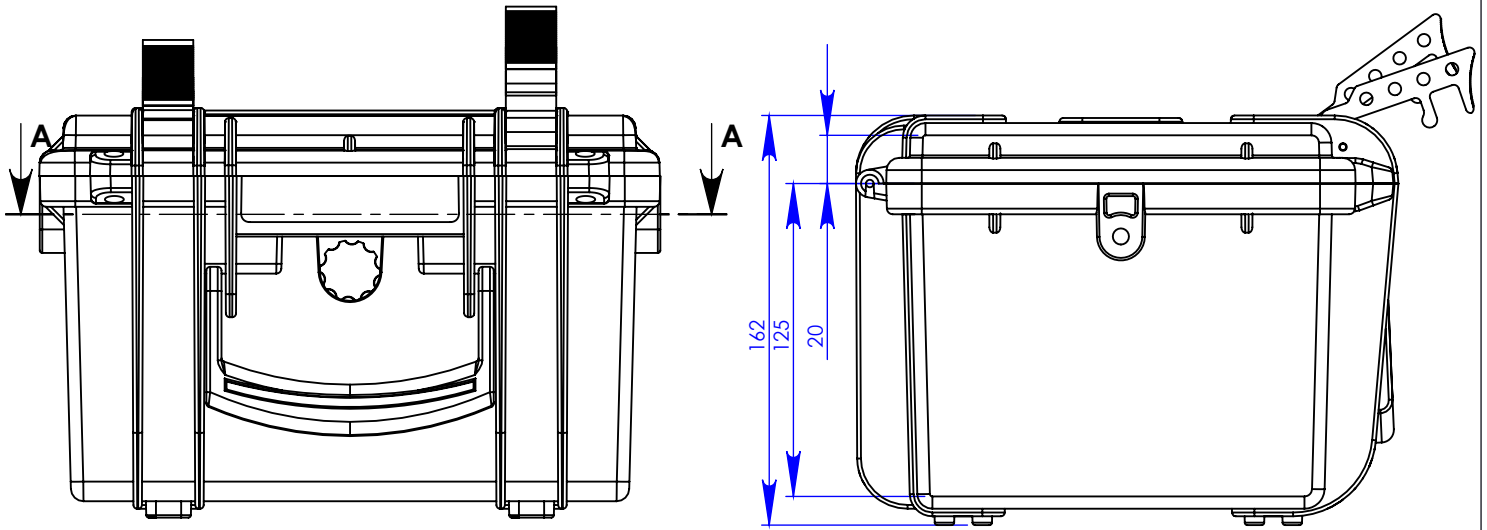
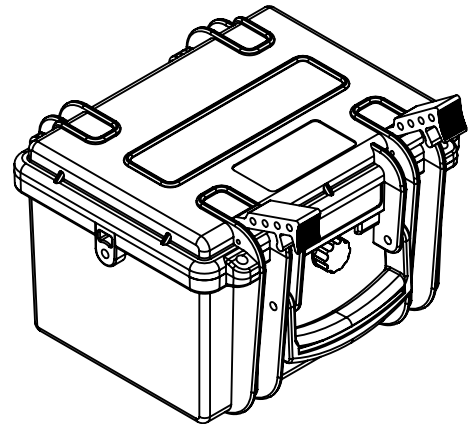


DATE	VER	DISCRIPTION	APPROVED



SECTION A-A
SCALE 1 : 3



ROLLING CASES

WWW.CASES.CO.IL

MOSHAV MISHMAR AYALON MESHEK 2 ZIP 99782 TEL: 972-08-9797205 FAX: 972-08-9797075

CAT No:				CUSTOMER:		DRWN	SIGNATURE	DATE
DIMENSIONS IN MM. UNLESS OTHERWISE SPECIFIED. TOLERANCES:				CUSTOMER CAT No:		DESIGN	KATYA	
PALLET BASE	±5					QA	DAVID	
PANELS	±2					CHKD	MONEL	
SLOTS	±1					APRVD	MONEL	
MILLING FOAM						NOTES:		
CUTTING FOAM		±2						
METAL:PARTS/PLACEMENT								
MANUFACTURED PARTS			±2					
O.S PARTS				CUSTOMER REQUIREMENT	EXT DIM:			
ANGLES:	SHEET:	OF:	VER:	DWG No:				

Explorer case 2214
color black