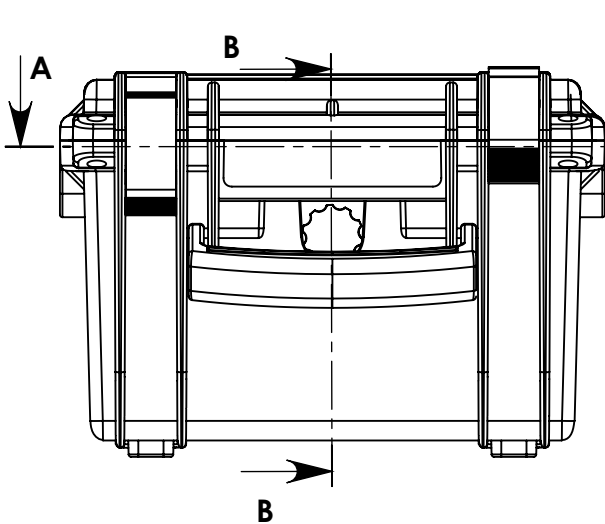
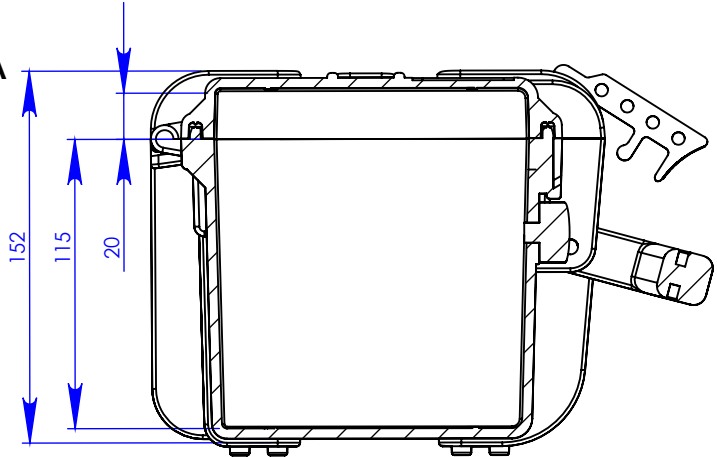


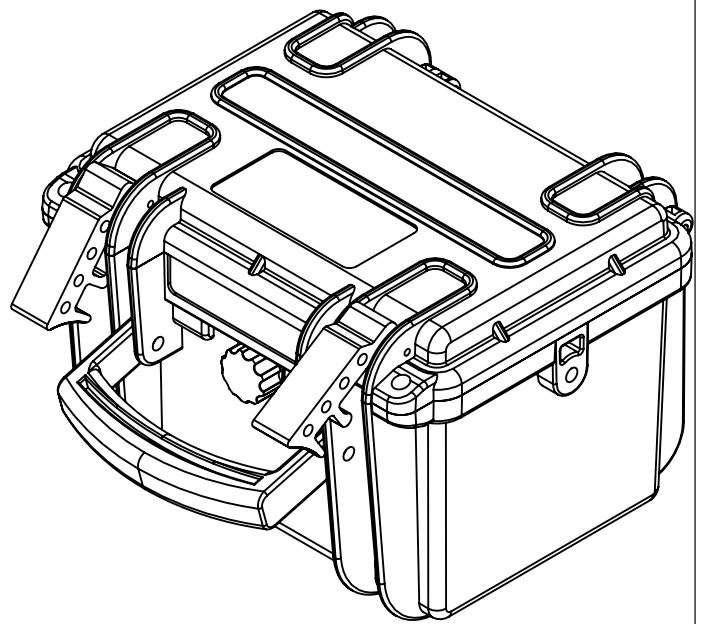
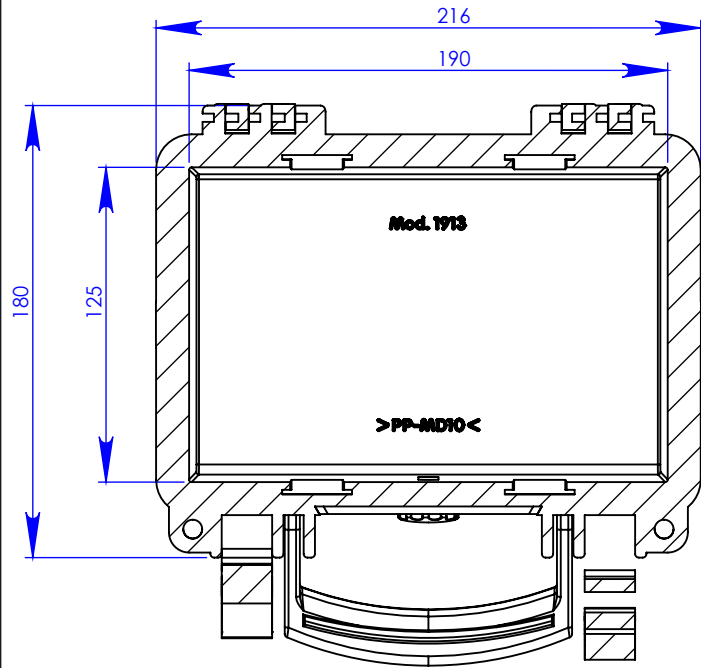
DATE	VER	DISCRIPTION	APPROVED



**SECTION A-A**  
**SCALE 1 : 3**



**SECTION B-B**  
**SCALE 1 : 3**



# **ROLLING CASES**

WWW.CASES.CO.IL

MOSHAV MISHMAR AYALON MESHEK 2 ZIP 99782 TEL: 972-08-9797205 FAX: 972-08-9797075

CAT No:			
DIMENSIONS IN MM. UNLESS OTHERWISE SPECIFIED. TOLERANCES:			
WOOD	FOAM	METAL	
PALLET BASE	±5		
PANELS	±2		
SLOTS	±1		
MILLING FOAM			
CUTING FOAM		±2	
METAL:PARTS/PLACEMENT			
MANUFACTURED PARTS			±2
O.S PARTS			CUSTOMER REQUIREMENT

CUSTOMER:	
CUSTOMER CAT No:	
TITLE:	Explorer case 1913 color black
EXT DIM:	
ANGLES:	
SHEET:	
OF:	
VER:	
DWG No:	

	SIGNATURE	DATE
DRWN	KATYA	
DESIGND	MONEL	
QA	DAVID	
CHKD	MONEL	
APRVD	MONEL	
NOTES:		