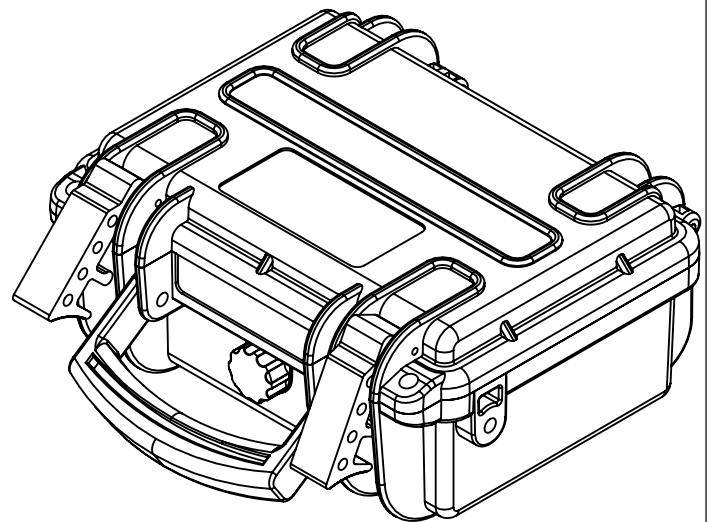
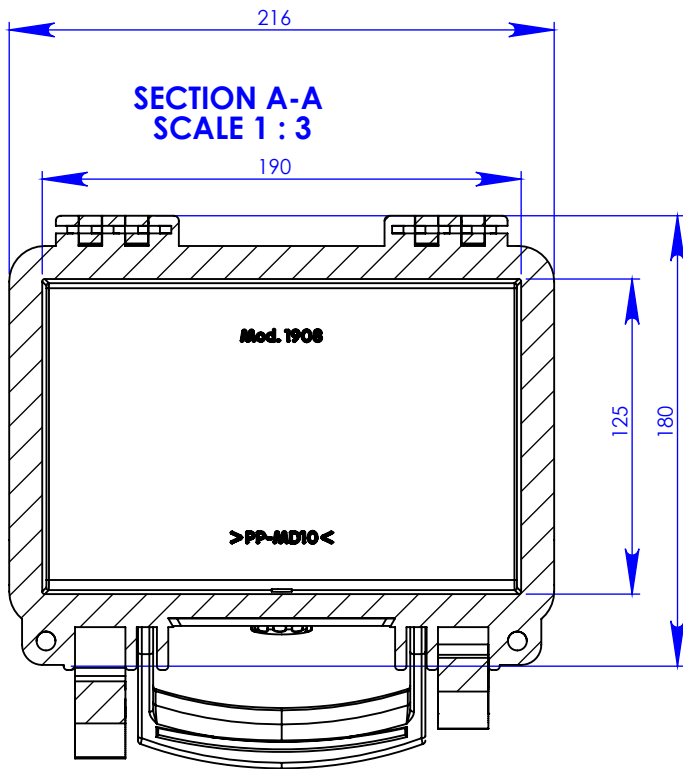
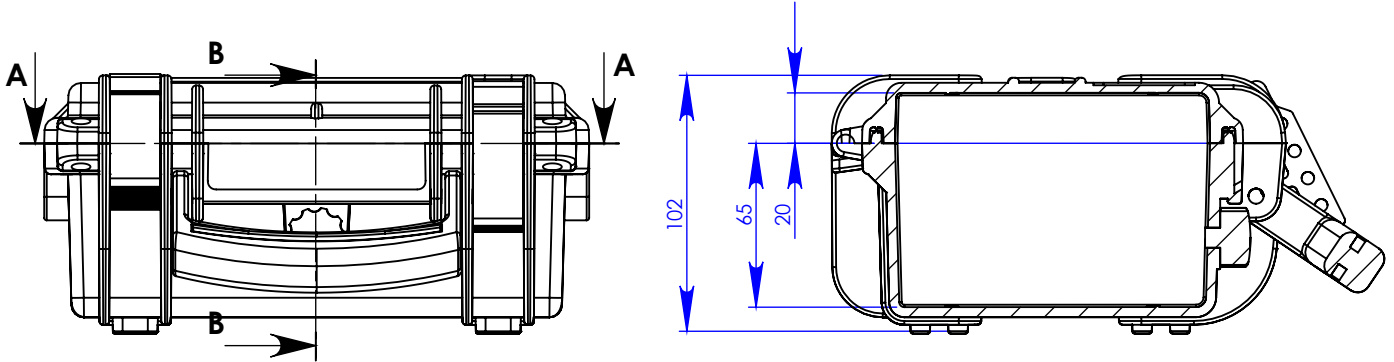


DATE	VER	DISCRIPTION	APPROVED

**SECTION B-B
SCALE 1 : 3**



ROLLING CASES

WWW.CASES.CO.IL

MOSHAV MISHMAR AYALON MESHEK 2 ZIP 99782 TEL: 972-08-9797205 FAX: 972-08-9797075

CAT No:				CUSTOMER:					
DIMENSIONS IN MM. UNLESS OTHERWISE SPECIFIED. TOLERANCES:				CUSTOMER CAT No:					
WOOD	FOAM	METAL		TITLE: Explorer case 1908 color black					
PALLET BASE	±5								
PANELS	±2								
SLOTS	±1								
MILLING FOAM									
CUTTING FOAM		±2		EXT DIM:					
METAL:PARTS/PLACEMENT				O.S PARTS					
MANUFACTURED PARTS			±2	CUSTOMER REQUIREMENT					
ANGLES:		SHEET:		OF:		VER:		DWG No:	

	SIGNATURE	DATE
DRWN	KATYA	
DESGND	MONEL	
QA	DAVID	
CHKD	MONEL	
APRVD	MONEL	
NOTES:		